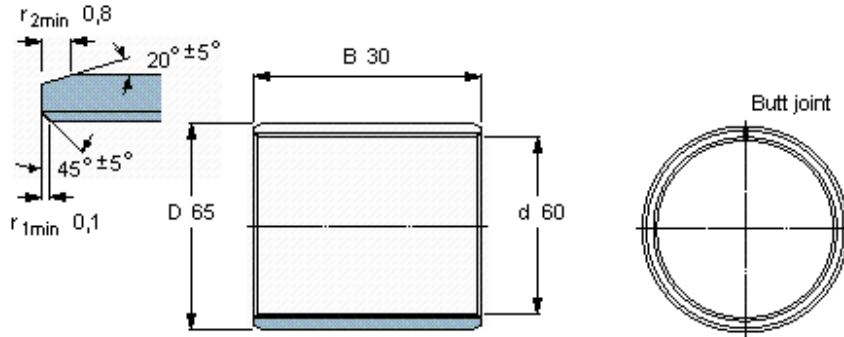


Composite dry sliding bushings, metric dimensions

Principal dimensions			Basic load ratings		Mass	Designation
d	D	B	dynamic C	static C0	kg	-
mm	65	30	kN			
60	65	30	140	440	0,11	PCM 606530 E



Specific load factor	K 80
Material constant	K_M 480